

Operating instructions

Satellite insert 2-wire
Art. no. 1720NE



ALBRECHT JUNG GMBH & CO. KG
Volmestraße 1
58579 Schalksmühle
GERMANY

Telefon: +49 2355 806-0
Telefax: +49 2355 806-204
kundencenter@jung.de
www.jung.de

29.08.2022
82598013 J0082598013

Table of Contents

| | | |
|---|--|---|
| 1 | Safety instructions | 3 |
| 2 | Intended use | 3 |
| 3 | Operation | 3 |
| 4 | Information for electrically skilled persons | 4 |
| 5 | Technical data | 5 |
| 6 | Troubleshooting | 5 |
| 7 | Accessories | 5 |
| 8 | Warranty..... | 5 |

1 Safety instructions



Electrical devices may only be mounted and connected by electrically skilled persons.

Serious injuries, fire or property damage possible. Please read and follow manual fully.

Danger of electric shock. Always disconnect before carrying out work on the device or load. In so doing, take all the circuit breakers into account, which support dangerous voltages to the device and or load.

This manual is an integral part of the product, and must remain with the end customer.

2 Intended use

- Extension unit operation of suitable inserts with extension input
- Operation with LB Management push-button 1-gang
- Mounting in appliance box with dimensions according to DIN 49073

3 Operation

The function of the extension depends on the insert and cover of the main device.

4 Information for electrically skilled persons

Connecting and mounting the devices

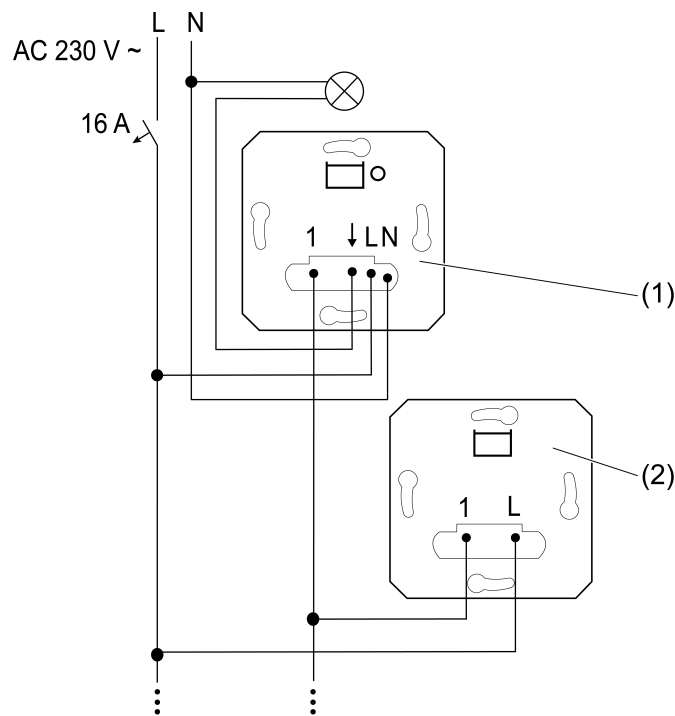


Image 1: Connection diagram 2-wire extensions

- Connect extension (2) according to connection diagram (see figure 1). Note clampable cable cross-sections (see figure 2).

i Any number of 2-wire extensions (2) can be connected to a main device (1) (see figure 1).

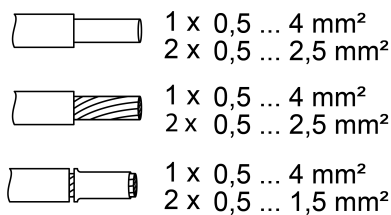


Image 2: Clampable cable cross-sections

- Install insert in appliance box, device connection terminals must be at the bottom.
- i** Do not attach or replace the cover under voltage, otherwise this might cause a malfunction.
- Attach the cover frame and the cover.
- Switch on mains voltage.

5 Technical data

| | |
|--|----------------|
| Rated voltage | AC 230 V ~ |
| Mains frequency | 50 / 60 Hz |
| Ambient temperature | -20 ... +45 °C |
| Storage/transport temperature | -20 ... +70 °C |
| Total length of extension device cable | max. 100 m |

6 Troubleshooting

Operation via extension does not function properly

Cause: power and extension unit cables are routed in a shared cable. Interferences of the power cable in the extension unit cable can lead to errors in the telegram transmission.

Route power and extension unit cables in separate cables.

Decrease current load on the power cable.

7 Accessories

LB Management push-button 1-gang ..1700..

8 Warranty

The warranty is provided in accordance with statutory requirements via the specialist trade.

ALBRECHT JUNG GMBH & CO. KG

Volmestraße 1
58579 Schalksmühle
GERMANY

Telefon: +49 2355 806-0
Telefax: +49 2355 806-204
kundencenter@jung.de
www.jung.de