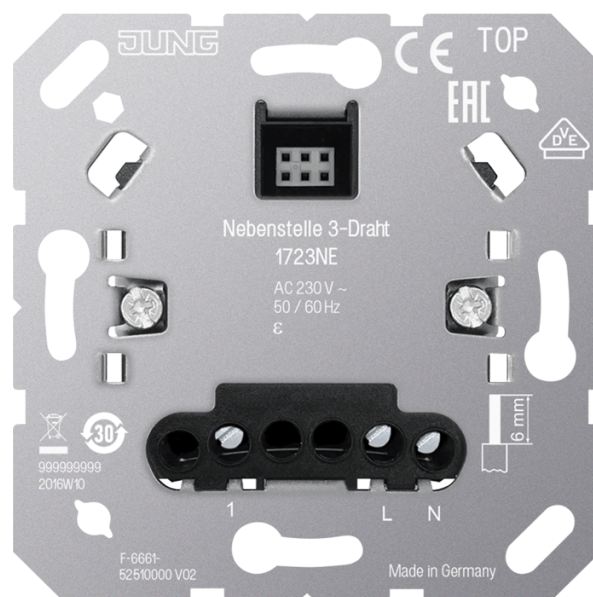


## Operating instructions

**Satellite insert 3-wire, power supply**  
Art. no. 1723NE



**ALBRECHT JUNG GMBH & CO. KG**  
Volmestraße 1  
58579 Schalksmühle  
GERMANY

Telefon: +49 2355 806-0  
Telefax: +49 2355 806-204  
kundencenter@jung.de  
www.jung.de

25.08.2022  
82599423 J0082599423

## Table of Contents

1	Safety instructions .....	3
2	Intended use .....	3
3	Operation .....	3
4	Information for electrically skilled persons .....	4
5	Technical data .....	6
6	Troubleshooting .....	6
7	Warranty.....	6

## 1 Safety instructions



Electrical devices may only be mounted and connected by electrically skilled persons.

Serious injuries, fire or property damage possible. Please read and follow manual fully.

Danger of electric shock. Always disconnect before carrying out work on the device or load. In so doing, take all the circuit breakers into account, which support dangerous voltages to the device and or load.

This manual is an integral part of the product, and must remain with the end customer.

## 2 Intended use

- Extension unit operation via LB management or eNet covers of inserts with extension input
- Voltage supply of wirelessly connected operating covers from the systems JUNG HOME, eNet and KNX RF and JUNG HOME motion detectors
- Extension for extending the detection field of motion and presence detectors
- Central control of multiple main devices
- Operation with suitable cover from the systems LB-Management, JUNG HOME, eNet and KNX RF
- Mounting in appliance box with dimensions according to DIN 49073

## 3 Operation

The function of the extension depends on the cover of the extension as well as on the insert and cover of the main device.

Different applications are possible due to various combination options of covers from the systems LB management, eNet and KNX RF and inserts with extension input. As a result, these instructions only describe the essential basic functions of the extension unit operation via a LB Management push-button 1-gang. Operations with different covers is described in the instructions for the cover in question.

**Example 1: A LB Management push-button 1-gang is fitted on a switching or dimming insert on the main device**

### Switching the light

- Press the operating cover at the top.  
Light is switched on.
- Press the operating cover at the bottom.  
Light is switched off.

### Adjusting the brightness (only dimming insert)

- Long press on the operating cover at the top or bottom.

### Saving the switch-on brightness (only dimming insert)

- Adjust the brightness.
- Press operating cover over entire surface for longer than 4 seconds.

**Example 2: A motion or presence detector is fitted on a switch insert on the main device**

### Switching the light

- Press the operating cover at the top.  
Light is switched on.
- Press the operating cover at the bottom.  
Presence detector: Light is switched off.  
Motion detector: Run-on time will be restarted.

## 4 Information for electrically skilled persons

### Connecting and mounting the devices

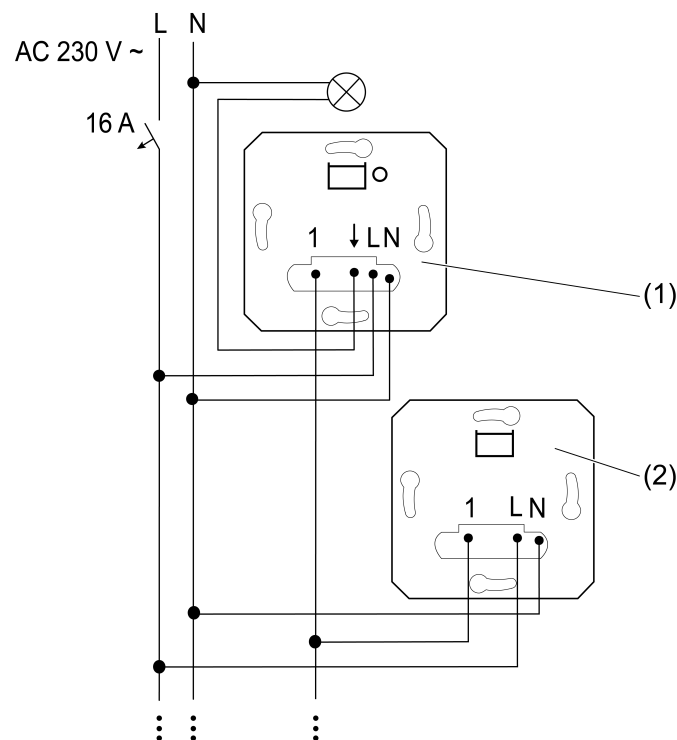


Image 1: Connection diagram 3-wire extensions on a main device

- i** Up to ten 3-wire extensions (2) can be connected to a main device (1) (see figure 1).

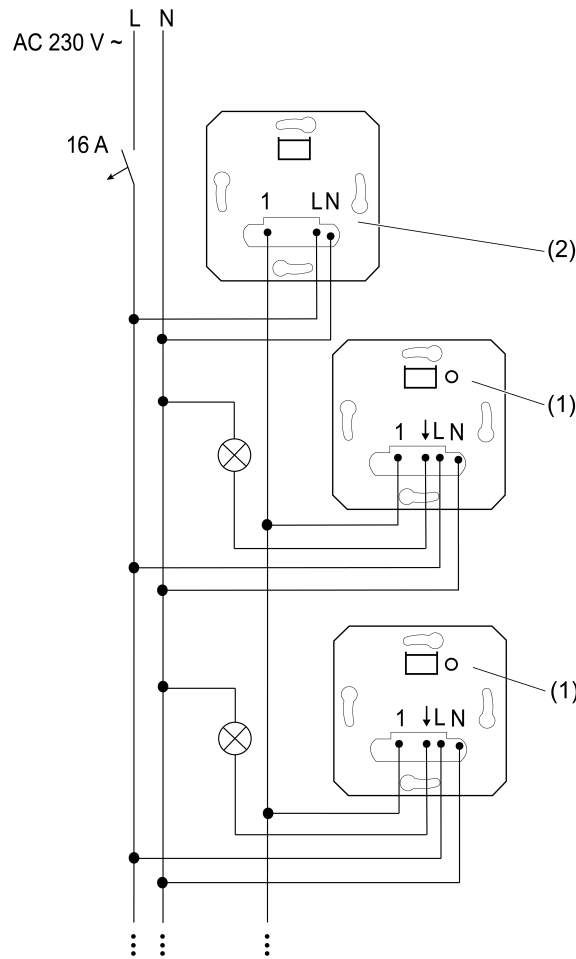


Image 2: Connection diagram for multiple main devices to a 3-wire extension for the central control

- i** Up to five identical or different main devices (1) can be controlled together by a 3-wire extension (2) (see figure 2).

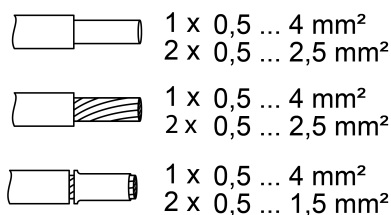


Image 3: Clampable cable cross-sections

- Connect extension (2) according to connection diagram (see figure 1) and (see figure 2). Note clampable cable cross-sections (see figure 3).
  - Install insert in appliance box, device connection terminals must be at the bottom.
- i** Do not attach or replace the cover under voltage, otherwise this might cause a malfunction.

- Attach the frame and the cover.
- Switch on mains voltage.

## 5 Technical data

Rated voltage	AC 230 V ~
Mains frequency	50 / 60 Hz
Standby load depending on the cover	approx. 0.1 ... 0.5 W
Ambient temperature	-20 ... +45 °C
Storage/transport temperature	-20 ... +70 °C
Total length of extension device cable	max. 100 m

## 6 Troubleshooting

### Operation via extension does not function properly

Cause: power and extension unit cables are routed in a shared cable. Interferences of the power cable in the extension unit cable can lead to errors in the telegram transmission.

Route power and extension unit cables in separate cables.

Decrease current load on the power cable.

## 7 Warranty

The warranty is provided in accordance with statutory requirements via the specialist trade.

### **ALBRECHT JUNG GMBH & CO. KG**

Volmestraße 1  
58579 Schalksmühle  
GERMANY

Telefon: +49 2355 806-0  
Telefax: +49 2355 806-204  
kundencenter@jung.de  
www.jung.de