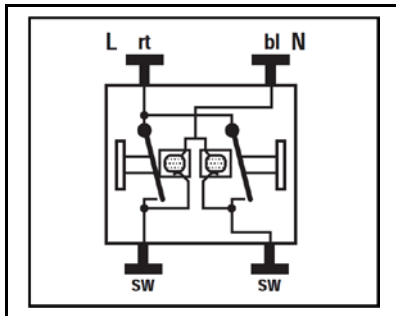


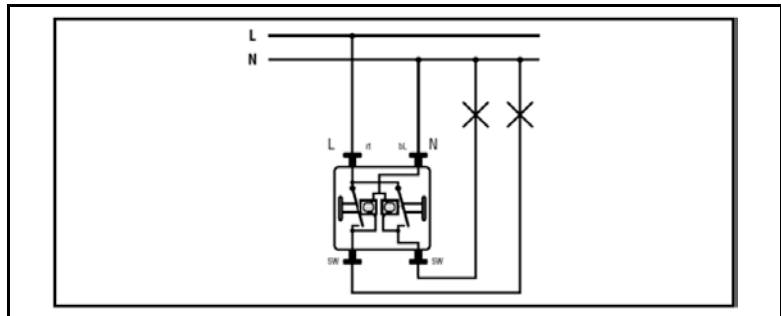
Description: 2-gang switch insert (1-pole, 1-way)
with lamp ref.-no.: 94

Ref.-no.: 505 KOU5

The lamps can be exchanged without disconnecting mains.



Contact assignments



Wiring diagrams
505 KOU5

Technical data

Switching voltage: AC 250 V ~
Switching current: 10 AX
Connection: screwless terminals
Switch type: 1-pole, 1-way

Accessories

Lamp: Ref.-no.: 94 (230 V, 0,8 mA)